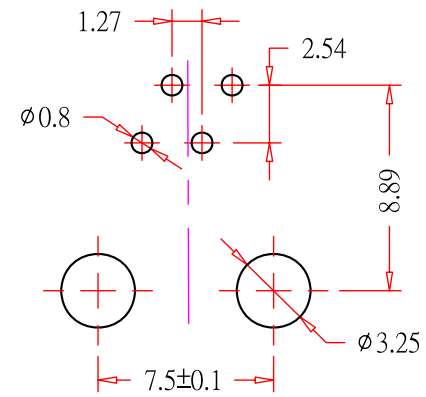
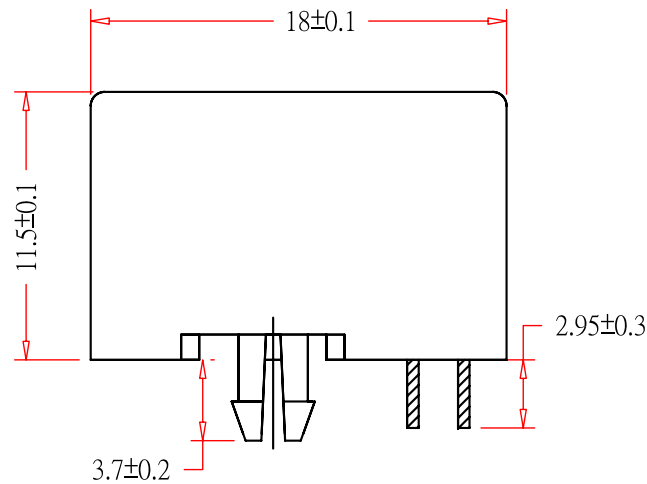
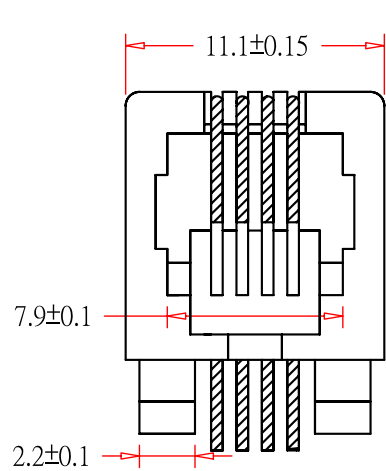
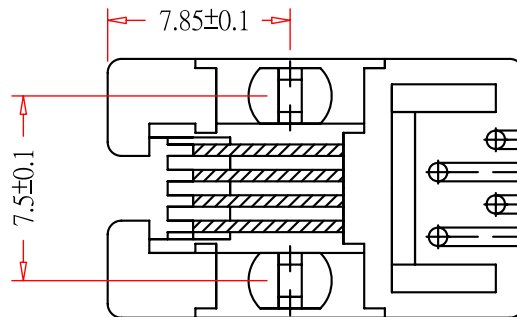


Date	2005/08/09
Revision	A



定位板孔位  
PCB LAYOUT



TOLERANCE

.XXXX	----
.XXX	0.10
.XX	0.25
.X	0.38

P/NO. SY020-4

TECHNICAL DATA

HOUSING	STANDARD MATERIAL 15% GLASS FILLED PBT UL94V-0	COLOR	GRAY,BLACK
CONTACT	0.46 DIAMETER PHOSPHOR BRONZE GOLD PLATED OVER NICKEL		
GOLD-PLATING	<input type="checkbox"/> 0.0762 um / 3u inch <input type="checkbox"/> 0.15 um / 6u inch <input type="checkbox"/> 0.38 um / 15u inch <input type="checkbox"/> 0.76 um / 30u inch <input type="checkbox"/> 1.27 um / 50u inch		

ITEM MODULAR PCB JACK

CO. SY

FILE SY020-4

DR. Hansum2005/08/09

APPD.

CHKD.



Shiunn Yang Ent.Co.Ltd.

TEL: 29089890 <REP>

FAX: 29068849,29088679

SCALE	/	
UNIT	mm	SIZE A4
SHEET		REV.

REV.	DESCRIPTION	ENG.	APPROVAL
------	-------------	------	----------